

Manual

Screen filters 1000/2000 Series



General instructions:

This filter is designed and manufactured to meet the highest standards of quality and workmanship. This filter is mainly used as a control filter, and is adapted to filtering a small amount of contamination.

Installation:

1000 Series: install the filter vertically.

2000 Series: install the filter horizontally with the handle pointing upwards.

The water inlet and outlet are clearly indicated by arrows.

The flush valve (09) must be located on the underside of the filter.

When installing more than one filter, allow enough room between the units for easier maintenance.

A pressure relief valve must be installed upstream of the filtering installation if the pressure is not sufficiently under control.

Install a quick-acting (mechanical) check valve if there is a risk of water flowing back.

Operation:

Normal operating conditions are achieved when the differential pressure across the clean filter element is less than 0.25 bar.

The maximum working pressure is up to 8 bar.

The filter is designed to withstand a maximum pressure of 10 bar.

Check the differential pressure during operation by installing a pressure gauge (with needle) in the connections (18) in the filter inlet and outlet.

Do not open the filter cover and do not tighten it while the filter is being used or under pressure!

Flushing:

Flushing can be easily carried out manually by opening the flush valve at the bottom of the filter.

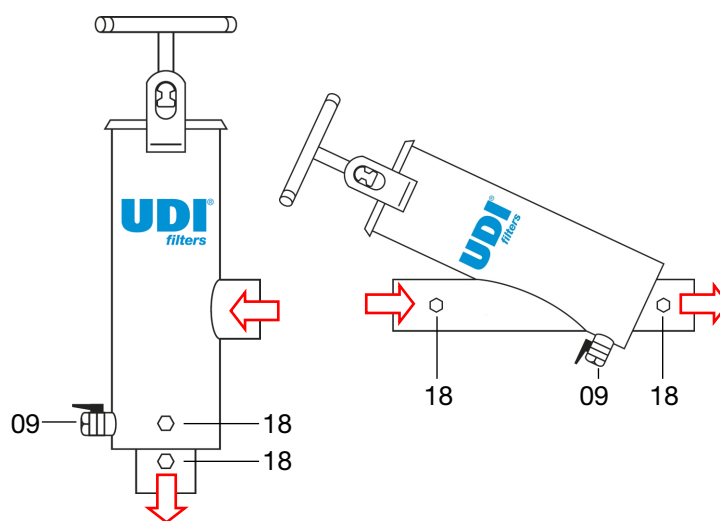
Check the amount of time needed to reach a differential pressure of 0.4 bar.

Open the flush valve (09) and flush during 10-30 seconds.

Check the pressure: the differential pressure must be 0.25 bar or less.

Periodic cleaning:

It is recommended to clean the filter and inspect the filter element: every 2 weeks or when the differential pressure reaches 1.0 bar or more.



Stop the flow to the filter.

Open the flush valve (09) to release pressure and drain water.

Carefully remove the filter element (06) (if used, also remove 05).

Keep the water level below the collar of the rubber to prevent soiled water from entering the system. Thoroughly clean the element with clean water, using a brush to remove dirt particles from the mesh (never use a steel wire brush). If the dirt particles cannot be removed from the element with a hair brush, dip the element into an acid/alkaline solution. Wait a few minutes for the solution to have its effect and then thoroughly clean the element.

Acid injection:

The filter is suitable for water with pH values 5 to 9. In the case of acid injection into the system, it is recommended to inject the acid after the filter to prevent acid accumulation in case of system failure.

It is also advisable to install a check valve after the filter before the acid injection point.

Assembly:

Check the filter element for any damage.

Ensure that the inner rubber (07) is properly positioned, with the recess next to the valve (09). Install filter elements (06) and, if used, (05) carefully back into the filter housing.

Check whether the top of the filter element is flush with the top of the filter body.

Place the cover (03) on the filter body in such a way that the cover rubber (04) fully covers the element(s) and is properly centred.

Place the tightening bracket (02) and fully tighten the spindle (01)

UVAR



Subject to modifications
No liability accepted for errors or misprints

Parts drawing:

When ordering specify the micronage.
 Option: starting with model 1020 two elements can be placed in the filter.

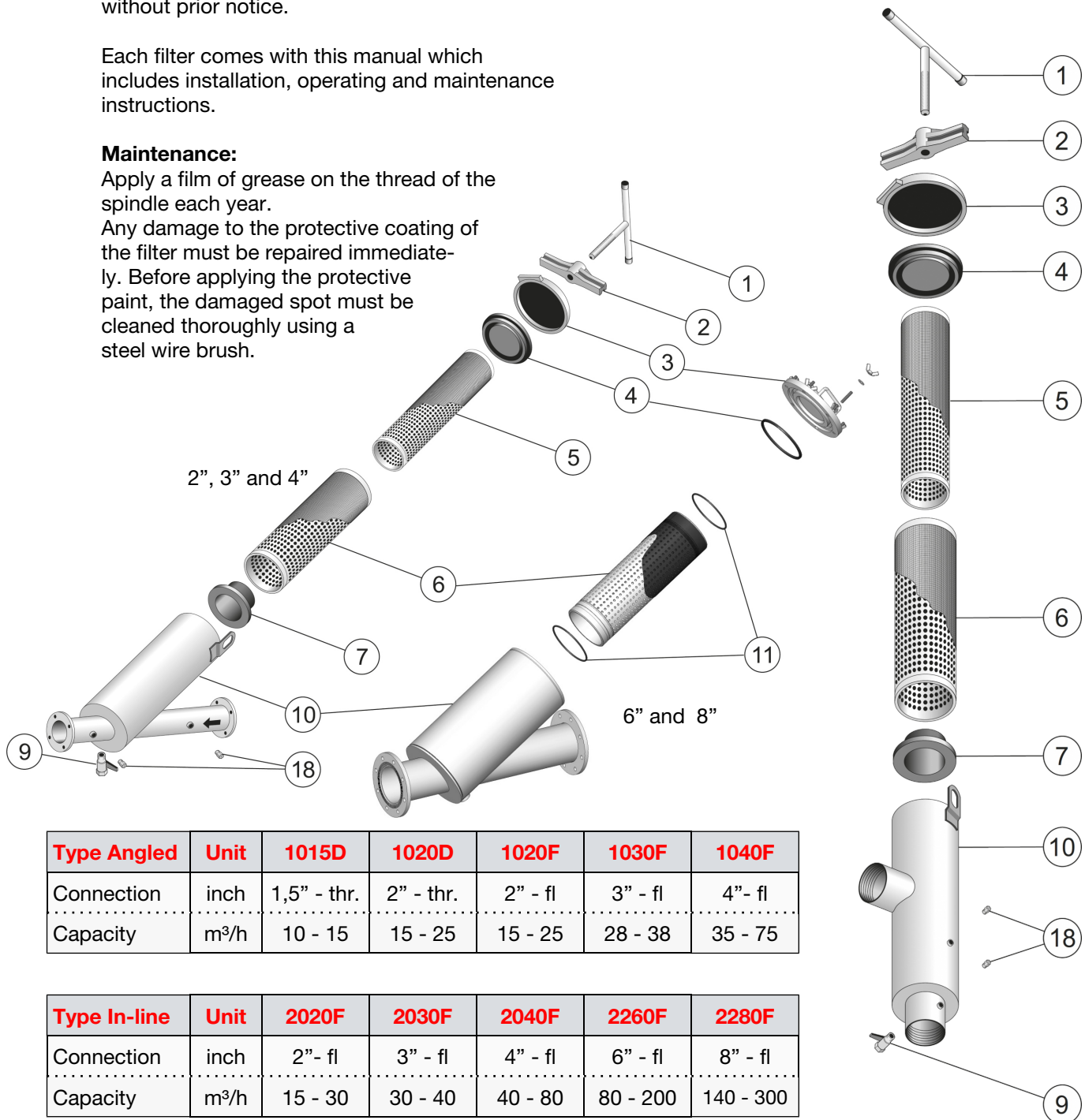
Note:

In view of on-going improvements, we reserve the right to change specifications at any time without prior notice.

Each filter comes with this manual which includes installation, operating and maintenance instructions.

Maintenance:

Apply a film of grease on the thread of the spindle each year.
 Any damage to the protective coating of the filter must be repaired immediately. Before applying the protective paint, the damaged spot must be cleaned thoroughly using a steel wire brush.



Type Angled	Unit	1015D	1020D	1020F	1030F	1040F
Connection	inch	1,5" - thr.	2" - thr.	2" - fl	3" - fl	4" - fl
Capacity	m ³ /h	10 - 15	15 - 25	15 - 25	28 - 38	35 - 75

Type In-line	Unit	2020F	2030F	2040F	2260F	2280F
Connection	inch	2" - fl	3" - fl	4" - fl	6" - fl	8" - fl
Capacity	m ³ /h	15 - 30	30 - 40	40 - 80	80 - 200	140 - 300

UVAR
 Subject to modifications
 No liability accepted for errors or misprints